



# SCHWING

## Separate Placing Boom

### SPB 30

Separate placing booms used in combination with stationary concrete pumps have established themselves in highrise construction and for

other large-scale structures as the ideal concrete distribution system.

Efforts made by SCHWING in the course of their periodic product care campaign to consistently reduce the weight of all structural components have led to decisive new features of this distribution system.



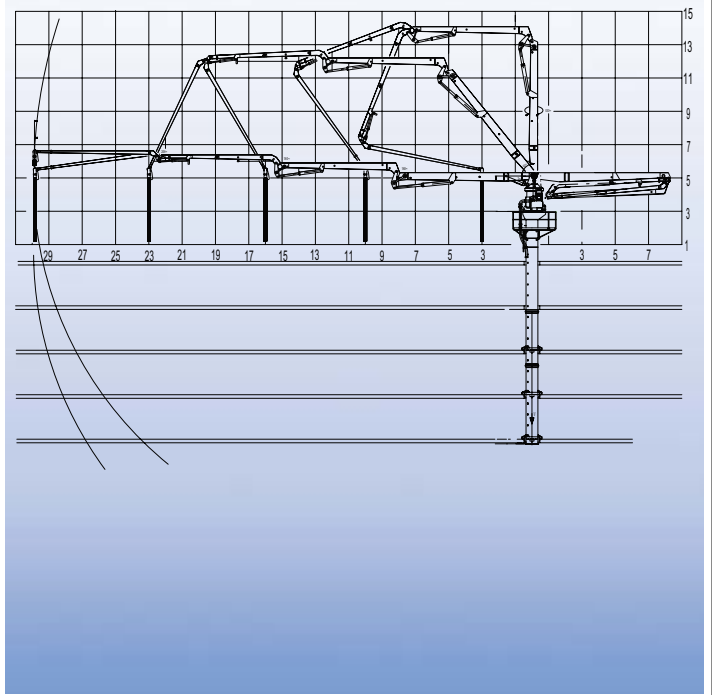
The separate SCHWING placing boom SPB 30 with split basic boom is equipped with a DN 125 concrete pumping line covering the universal working range of a four-section roll-and-fold boom with a working radius of 30 meters. Thanks to its lightweight design and the new tubular column construction, the boom does not need supporting outriggers.

Depending on site requirements, the boom can be used on tubular column sections of 4 m, 6 m, 10 m or up to 20 m maximum as a free-standing unit. Special attention has been devoted by SCHWING engineers to the new tubular column concept, the self-climbing variant in highrise construction. →

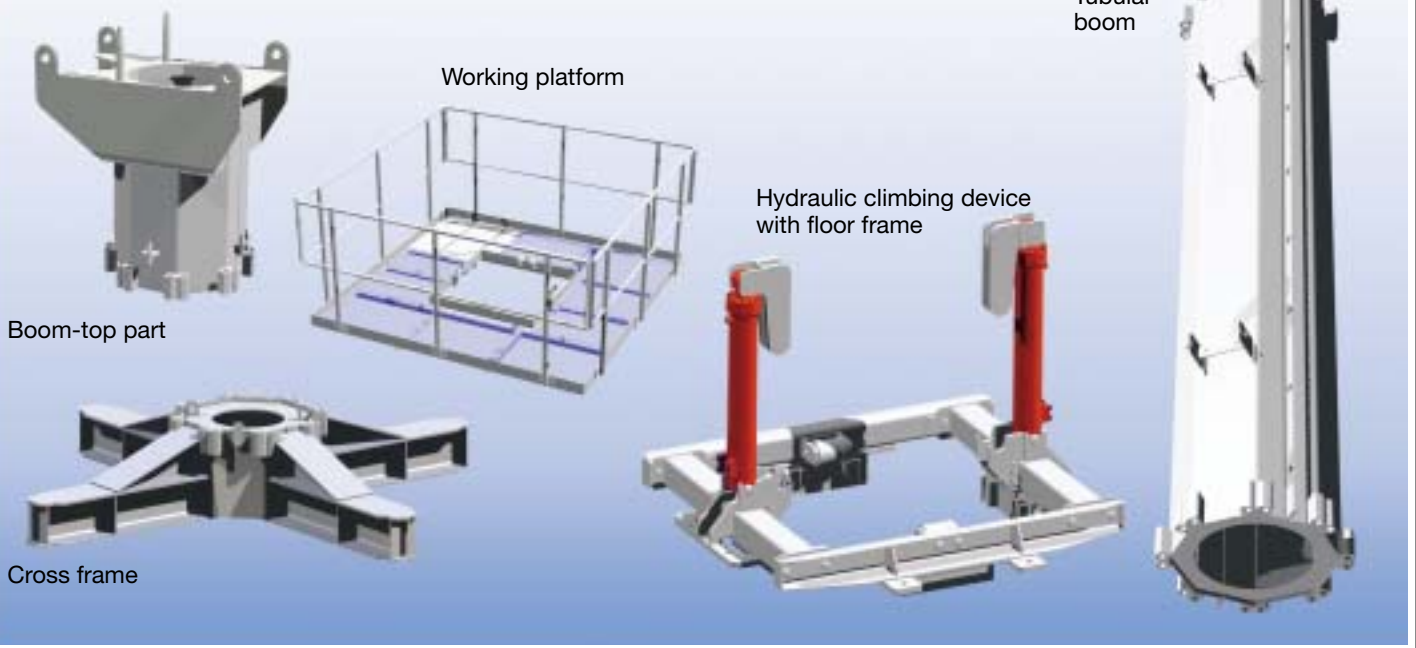
# Technical Data

The climbing equipment is characterized by simple and time-saving handling. As a new feature, the pipeline can now pass through the opening in the floor together with the boom. Separate openings only for the pipeline, which

were necessary in the past, are no longer needed. The number of bolted joints between individual tubular column sections could be reduced by 60 % which is a further step towards greater savings of time and work.



## Optional equipment:



# SCHWING

SCHWING GmbH  
 P.O. Box 200362  
 D-44647 Herne/Germany  
 Heerstr. 9-27 · D-44653 Herne  
 ☎ (0) 23 25 / 987-0  
 Fax (0) 23 25 / 72922  
 E-Mail: info@schwing.de  
 http://www.schwing.de

Subject to modifications in the interest of technical progress. Details of the standard extent of supply are to be drawn from the offer.