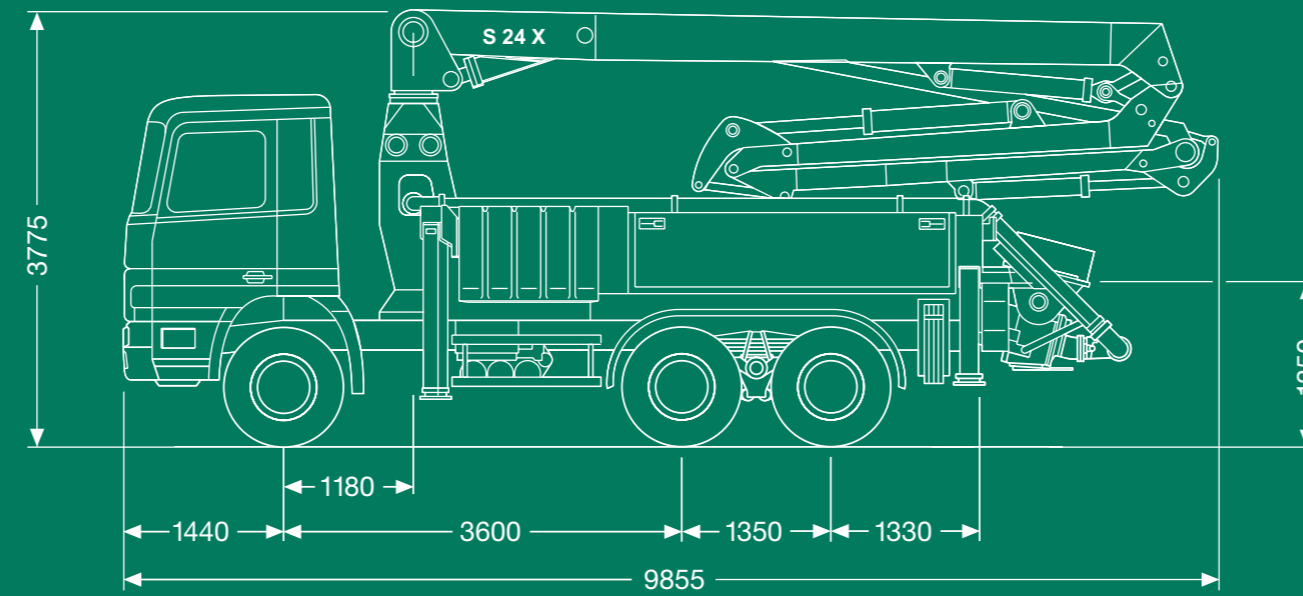


TECHNICAL DATA

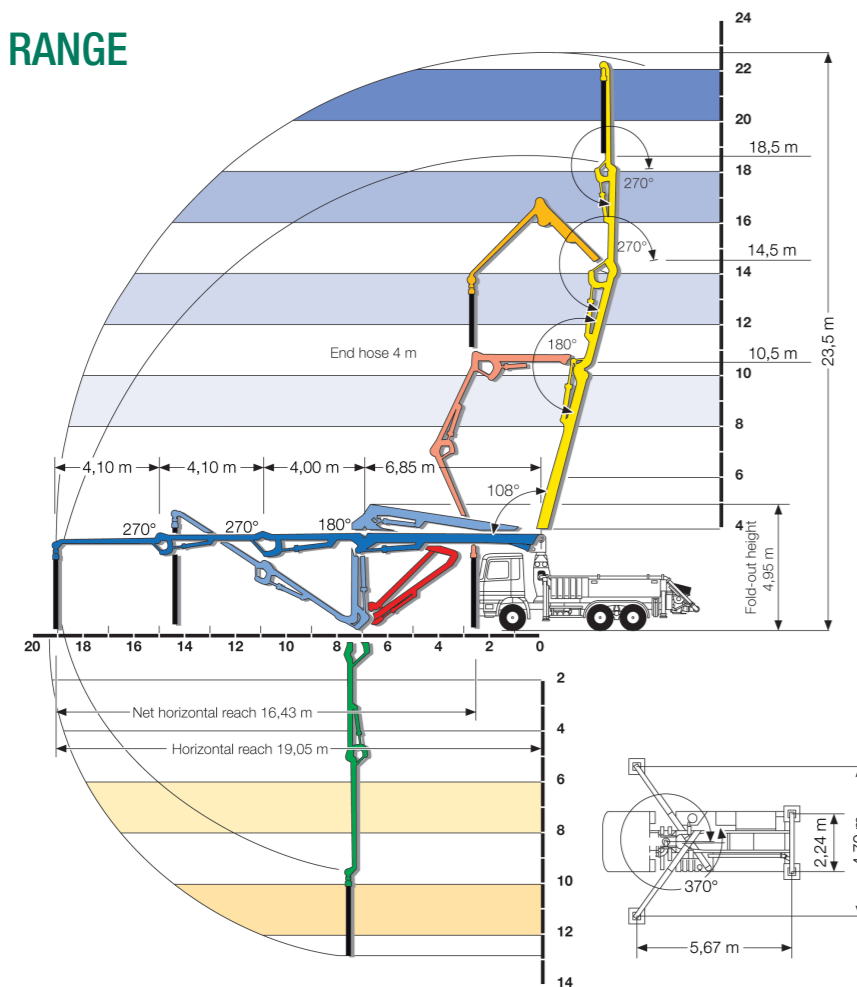
Pump battery		P 2020	P 2023
Max. theor. output	m ³ /h	90	163
Max. concrete pressure	min.	24	32
Max. number of strokes	bar	85	85
Placing boom		24 ZR	
Delivery line diameter		DN 125	
Length of end hose	m	3,0	
Vertical reach	m	23,5	
Horizontal reach	m	19,5	
Number of articulations		4	
Height of articulations	m	4,05 / 11,14 / 16,66 / 22,91	
Slewing range		370°	
Outrigger load, front	kN	140	
Outrigger load, rear	kN	90	



TRUCK-MOUNTED CONCRETE PUMP S 24 X

WORKING RANGE

S 24 X



SCHWING-STETTER MOVES CONCRETE. WORLDWIDE.

Wherever concrete is produced and moved is where you will find Schwing-Stetter machinery.

With plants in Germany, Austria, USA, Brazil, Russia, China and India as well as with more than 100 sales and service facilities, the group of companies is always close to the customer.

Our wide range of products with something for every application is what makes Schwing-Stetter the No. 1 system supplier for concrete machinery worldwide.



SCHWING GMBH
P.O. Box 20 03 62 · D-44647 Herne / Germany
Phone (0) 23 25 / 9 87-0 · Fax (0) 23 25 / 7 29 22
www.schwing.de · info@schwing.de

Subject to modifications in the interest of technical progress. The exact standard scope of delivery is detailed in the offer.

10311032.2000.04.10SK



SCHWING TRUCK-MOUNTED CONCRETE PUMP S 24 X

THE ALL-ROUNDER WITH OUTSTANDING THREADING ABILITIES

This “allrounder” shines when deployed on the shop floor or in tunnels, as well as in housing construction, and when used as a line pump, is also a full-fledged refurbishment pump.

The boom's fold-out height and its R-Z fold make it possible for the operator to work without stress even on the narrowest sites.

The articulation angle of the first boom section, at 108°, and of the C and D-arms at 270°, together with the swivel angle of 370°, result in unequalled sliding and threading properties. Of course, the machine also provides the option to distribute the concrete, with a hanging end hose, from maximum reach right up to the front bumper.

Where traditional machines first have to clearly raise the boom to go from the travel to the work position, this boom can be slewed to the front past the driver's cab without any special procedures, saving valuable set-up time.



With its lightweight construction, SCHWING is able to achieve a total weight of less than 18 t, without making any compromises in respect to the core pump battery, Rock valve and boom.

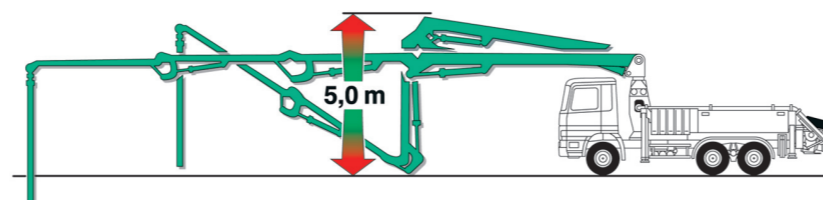
On a 3-axle chassis, the pump has an even narrower footprint and provides the option of loading more accessories and hoses.

The conveyor hoses are stored in a hose box that can be lowered hydraulically and are thus accessible to the machine operator at an operator-friendly height. A robust hydraulic lift mechanism makes it possible to lift the box even when the outriggers are retracted. Depending on the core fittings in the box, e.g. 72 m DN 65 or 42 m DN 100 of hose can be accommodated.

If this quantity of hose is not sufficient for some applications, or an additional quantity of hoses need to be carried, SCHWING offers a removable box system, which is available in the standard lengths of 3.10 m, 4.10 m and 5.10 m. These boxes are fixed on the right-hand side by means of a quick attach and release system and can be loaded and unloaded by a forklift as well as a crane or with the machine's own boom.

In the “Jumbo-Version”, up to 18 pieces of 5 m long hoses of DN 65 can be carried, ready for the construction site. These detachable boxes can be interchanged within the fleet, because they fit the types Line Pump, S 17, S20, S 28 X and S 31 XT.

The S 24 X is basically fitted with pumpkits that have a stroke of 2 m. In the basic variant with a delivery piston diameter of 200 mm, this pump assembly can generate a maximum concrete pressure of 108 bar. As with all SCHWING concrete pumps, a Rock valve is used here as well. It stands for exemplary suction and conveying properties, economy, low wear and high operational safety.



Thanks to the exceptional articulation and slewing angles and its unfolding height under 5m the S 24 X is easy to operate even in tight confines.



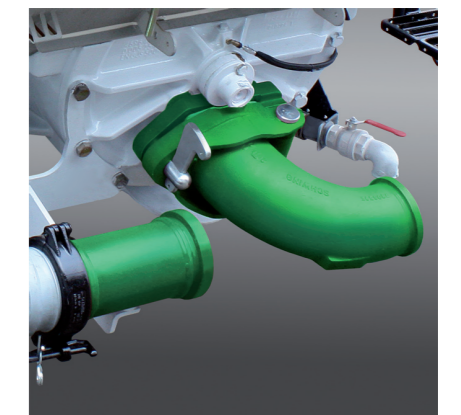
In the hydraulically lowerable boxes the hoses are comfortably accessible at operator height.



Two slewing cylinders on each side assure safe operation and longevity of the turret.



The hose storage boxes on the right side can be loaded and unloaded by a fork lift, crane or the pumps own boom.



The optional turnable outlet allows the operator to mount the hoses to either side.