



SP 7500 E

Stationary concrete pump

Technical data

Designation		SP 7500 E			
Weight	kg	9,200		max. single outrigger load	kN/kg/lb 41 / 4,180
Length	mm	7,050			
Height	mm	2,420			
Width	mm	2,180			
Performance		rod-sided	piston-sided		
Pump kit		P2018			
Delivery cylinders	mm	180 x 2,000			
Concrete output max.	m ³ /h	67	44		
Pressure on concrete max.	bar	156	243		
Stroke rate max.	1/min.	22	14		
Concrete valve		HP-ROCK	wear parts both sides	carbide/chrome	
Hopper capacity	l	600	outlet diameter	DN	150
Hydraulic system					
Design		open system, dual-circuit hydraulics			
Hydraulic tank	l	700			
Motor					
Motor		Electric motor		frequency	Hz 50
Engine power	kW	250		max. rpm	1/min 1,450
Efficiency class		IE 3		max. sound level	dB(A) <123
Equipment					
Standard equipment	<ul style="list-style-type: none"> · High pressure pump kit P2018 · Dual-circuit hydraulic system · Double pressure accumulator · Hydrostatically driven fan · Fuel tank with double-sided tank nozzles 		<ul style="list-style-type: none"> · Cable remote control with 30 m cable · Four lashing eyes at the bottom · Four attachment points at the top · Central greasing strip at the hopper · Emergency-off button at the hopper and water box 		<ul style="list-style-type: none"> · Supporting leg, two-stage · Pressure gauge for hydraulic pressure and for accumulated charge pressure · Carbide wearing parts
Options	<ul style="list-style-type: none"> · Water pump · Hydraulic outriggers · Concrete vibrator on the grid · Central lubrication system 		<ul style="list-style-type: none"> · Hydraulic control unit (f. e. for driving a shut-off valve) · SmartSwitch 		<ul style="list-style-type: none"> · Various outlet options · Compressor · Floodlight

Maximum concrete output and maximum pressure on concrete cannot be achieved simultaneously.



SCHWING
Stetter

SCHWING GmbH
Heerstrasse 9-27 · 44653 Herne, Germany
Fon +49 23 25 - 987-0 · Fax +49 23 25 - 72922
www.schwing-stetter.com · info@schwing.de

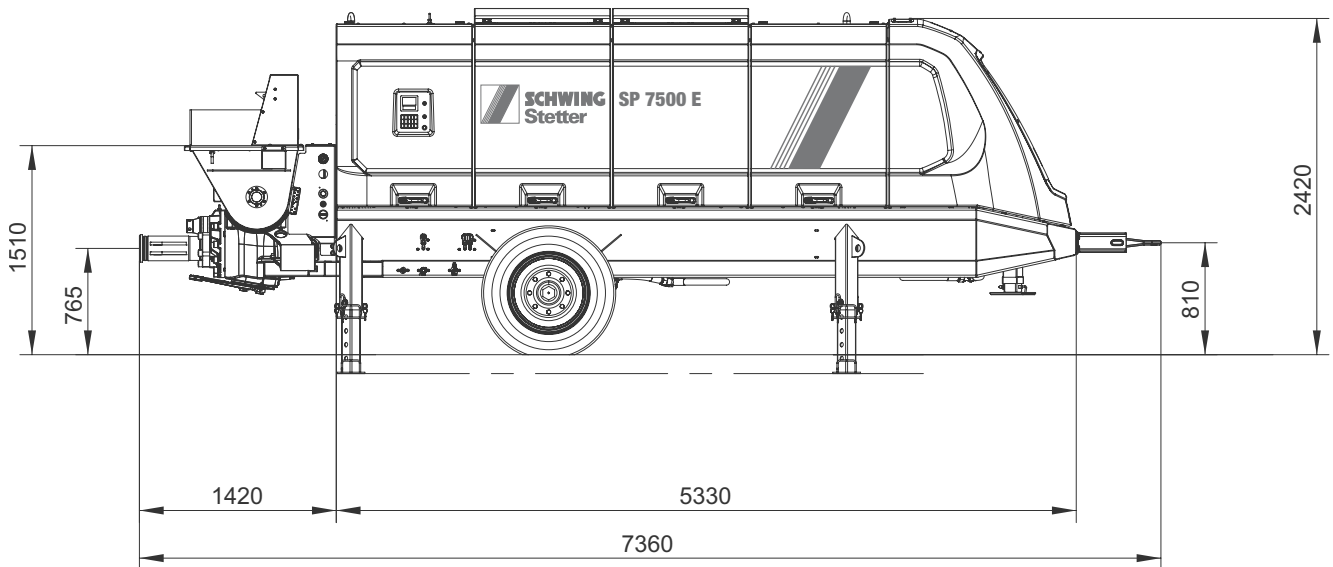
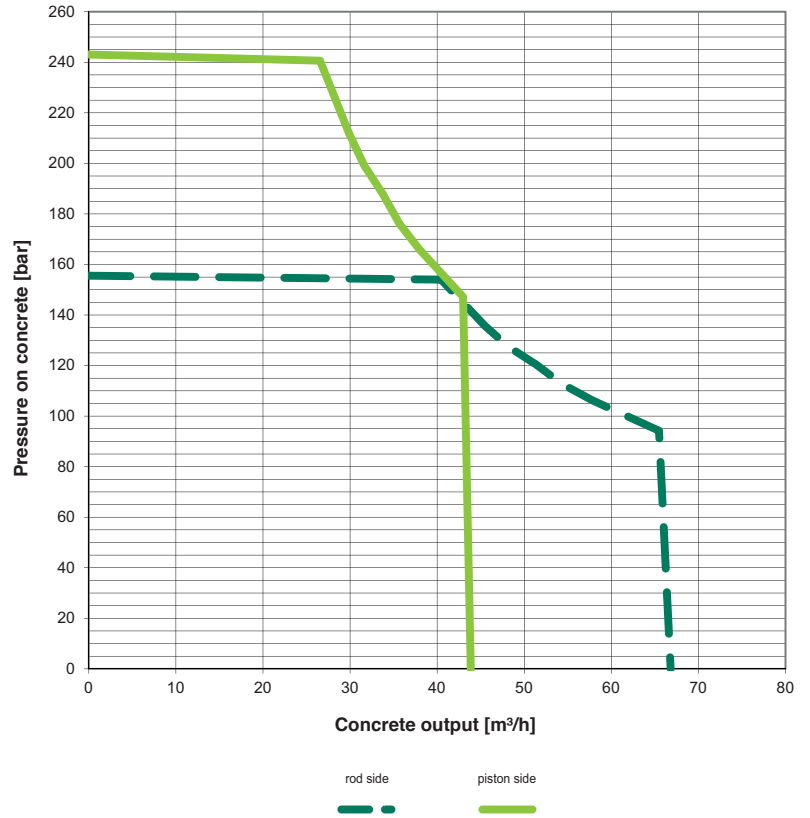
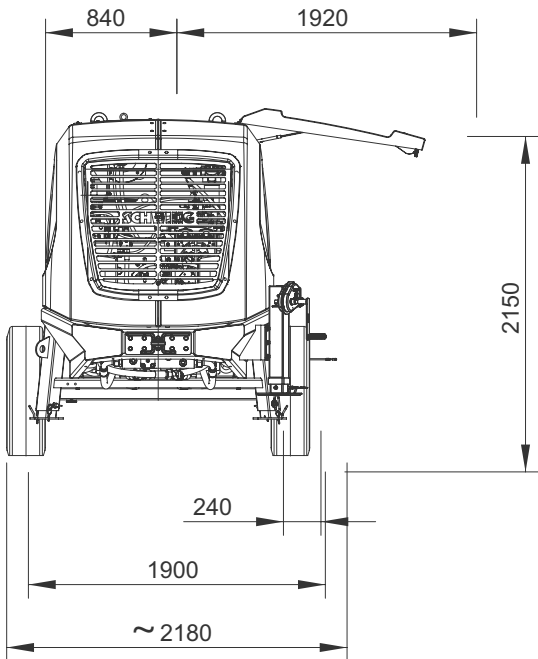
Stetter GmbH
Dr.-Karl-Lenz-Strasse 70 · 87700 Memmingen, Germany
Fon +49 83 31 - 78-0 · Fax +49 83 31 - 78 275
www.schwing-stetter.com · info@stetter.de



**SCHWING
Stetter**

SP 7500 E

Stationary concrete pump



RECORD BREAKING ENGINEERING