

AM 10 EDrive

Truck-mixer



Nominal volume	10 m ³
Geom. drum volume	17,040 l
Water line	11,400 l



RECORD BREAKING ENGINEERING





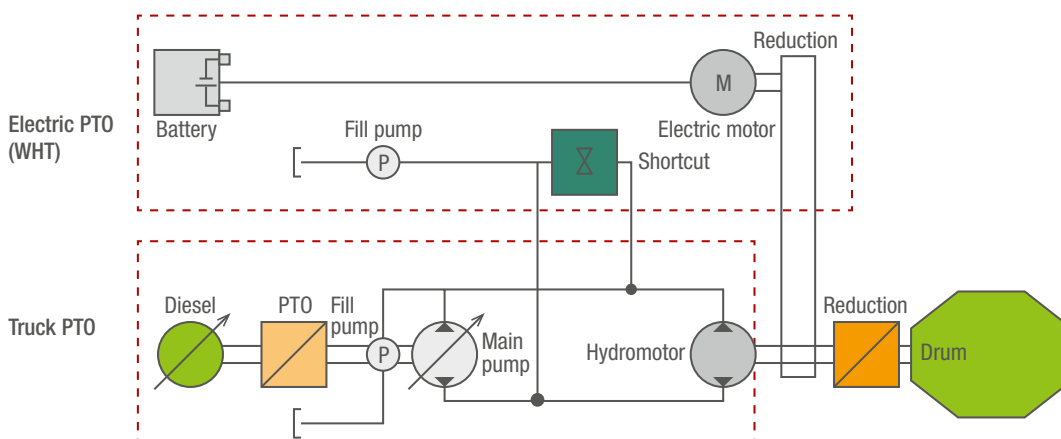
Technical data



Mixer type		AM 10 FHC BL
Nominal volume	m ³	10
Geom. drum volume	l	17,040
Water line	l	11,400
Fill ratio	%	58.7
Drum inclination	deg.	11.20
Drum speed	rpm	0 - 12/14
Drum diameter	mm	2,300
Mixer weight*	kg	3,990
Height of feed hopper**	mm	2,532
Clearance height**	mm	2,592
Mixer drive (developed with Wierda Hybrid Technologies)		
Engine power	kW	35
Battery capacity	kWh	20
Charging time	h	10 - 11
Charging voltage	V	230
Operating time max.	h	6
Weight	kg	475

*Weight specifications when completely assembled / ready for operation according to DIN 70020, deviation +/- 5 % *without base frame

Functional diagram



Stetter truck-mixers. The benchmark for efficiency.



SCHWING GmbH
Heerstrasse 9-27 · 44653 Herne, Germany
Phone +49 23 25 - 987-0 · Fax +49 23 25 - 72922
www.schwing-stetter.com · info@schwing.de

Stetter GmbH
Dr.-Karl-Lenz-Strasse 70 · 87700 Memmingen, Germany
Phone +49 83 31 - 78-0 · Fax +49 83 31 - 78 275
www.schwing-stetter.com · info@stetter.de